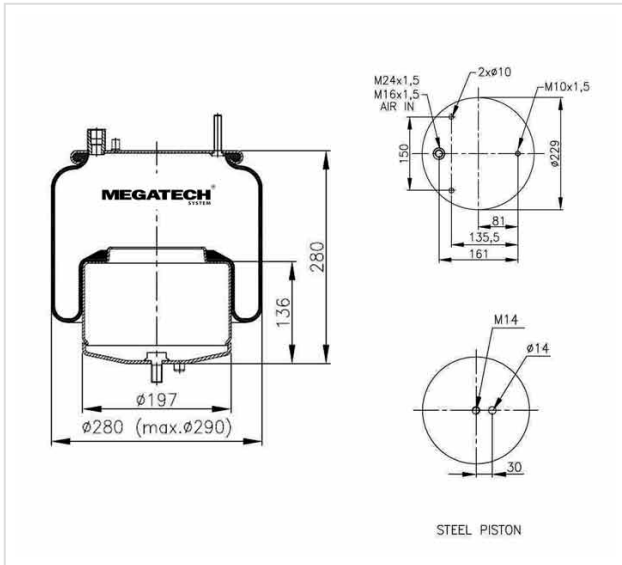


# 24561 K02 AIR SPRING WITH METAL PISTON



## 24561 K02

### AIR SPRING WITH METAL PISTON

#### VEHICLE

#### OE

Volvo

21224746

Volvo

22058738