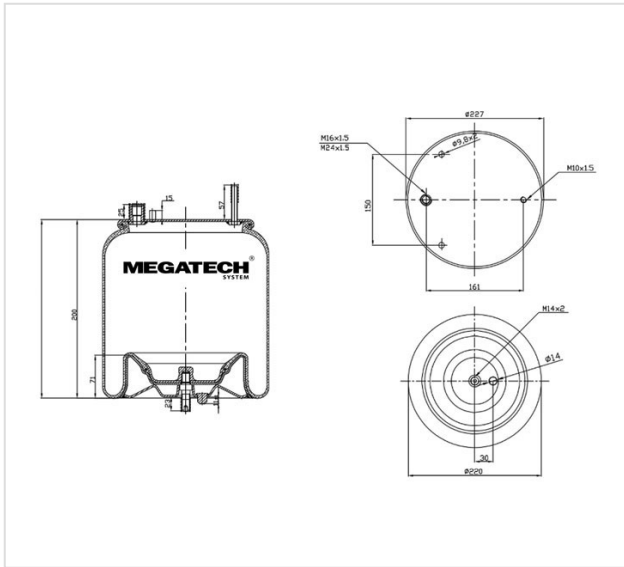


24563 K02 AIR SPRING WITH METAL PISTON



24563 K02

AIR SPRING WITH METAL PISTON

VEHICLE

OE

Volvo

22058740

Volvo

21224748

Contitech

4563 N P02