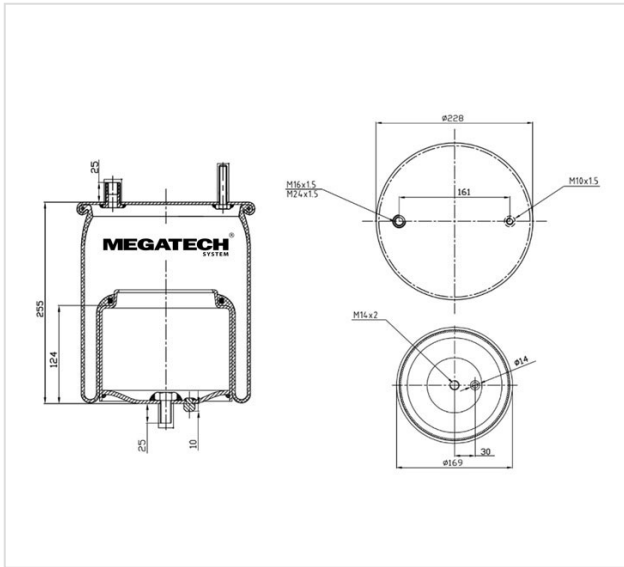


24571 K01 AIR SPRING WITH METAL PISTON



24571 K01

AIR SPRING WITH METAL PISTON

VEHICLE

Volvo

Contitech

OE

21224751

6639 N P01