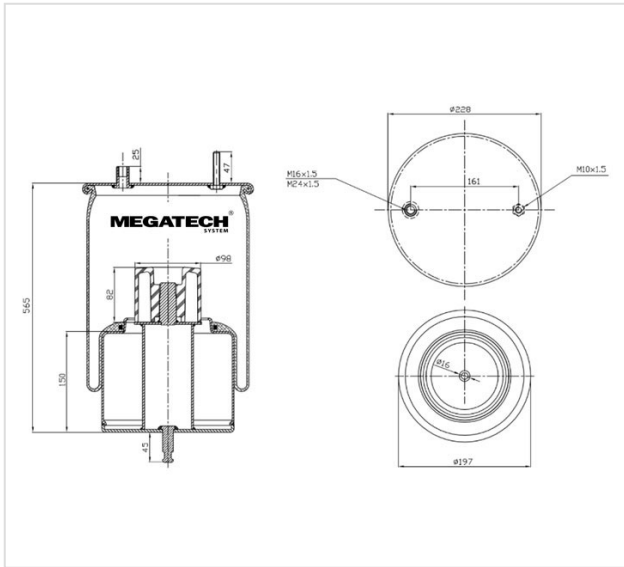


21857 K02 AIR SPRING WITH METAL PISTON



21857 K02

AIR SPRING WITH METAL PISTON

VEHICLE

Volvo

OE

21 321 515