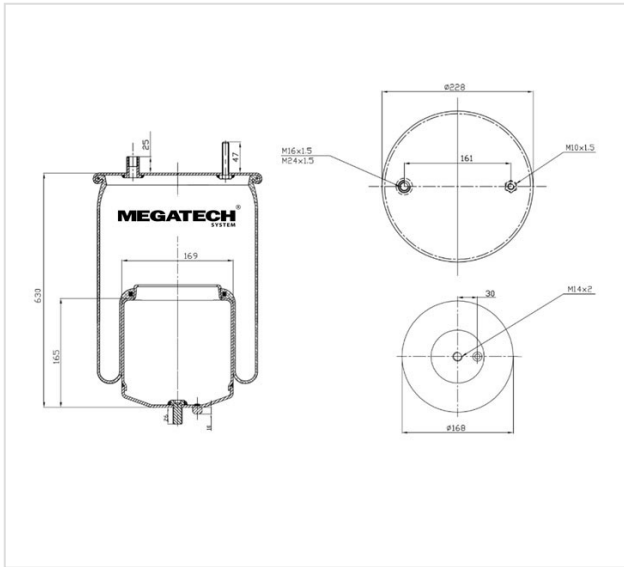


# 24570 K01 AIR SPRING WITH METAL PISTON



## 24570 K01

### AIR SPRING WITH METAL PISTON

#### VEHICLE

Volvo

Contitech

#### OE

21224749

4570 N P01