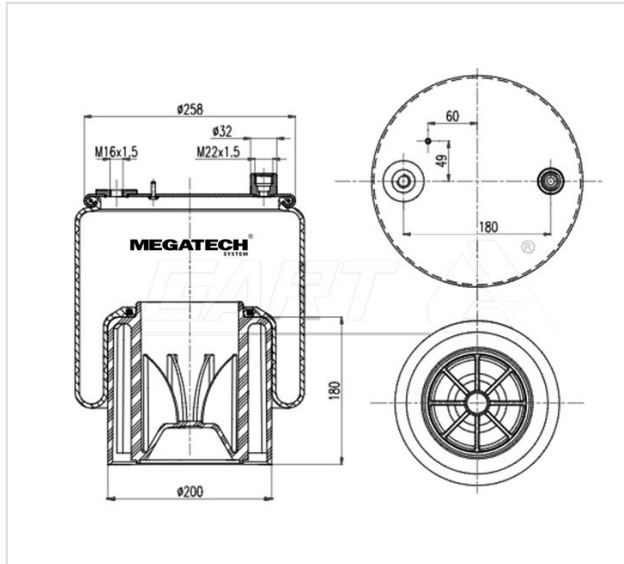


26173 KP01 AIR SPRINGS WITH PLASTIC PISTON



26173 KP01

AIR SPRINGS WITH PLASTIC PISTON

VEHICLE	OE
Mercedes	961 320 43 21
Mercedes	961 320 47 21
Mercedes	961 320 55 21
Mercedes	961 320 70 21
Contitech	6173 N P41