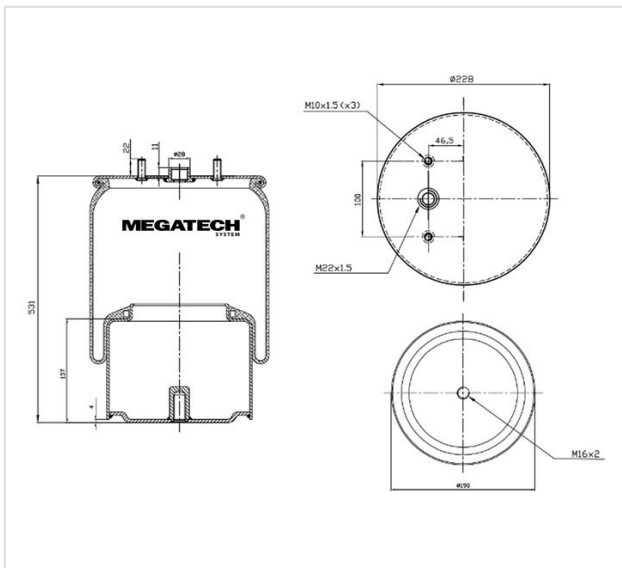


# 26431 K01 AIR SPRING WITH METAL PISTON



## 26431 K01

### AIR SPRING WITH METAL PISTON

VEHICLE	OE
Daf	1849 374
Daf	2301455
Daf	2237594
Daf	2028898
Daf	2305237